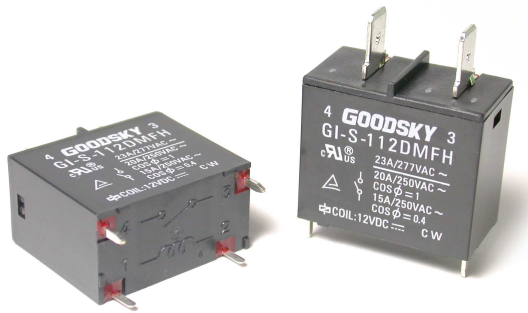


Main Feature



1. Switching current up to 25A.
2. P.C.Board & Plug-in Terminal available.
3. Employment of suitable plastic materials to be applied to high temperature and various chemical solutions.
4. Halogen Free series available.



Contact Rating

Load Type	GI (DM)
Rated Load (Resistive)	25A 277VAC
Rated Carrying Current	25A
Max. Allowable Voltage	AC 277V
Max. Allowable Current	25A
Max. Allowable Power Force	6,370VA
Contact Material	Ag Alloy
Contact Form	SPST

Application

Domestic and Industrial Appliances, General Control etc...

Performance (at Initial Value)

- Contact Resistance 100 mΩ Max. @1A,6VDC
- Operate Time..... 20 mSec. Max.
- Release Time 10 mSec. Max.
- Dielectric Strength:
 - Between Coil & Contact 4,000VAC at 50/60 Hz for one minute.
 - Between Contacts 1,000VAC at 50/60 Hz for one minute.
- Surge Strength 10,000V (between Coil & Contact 1.2x50μSec.)
- Insulation Resistance 100 MegaΩ Min. at 500VDC
- Max. On/Off Switching:
 - Electrical..... 15 Cycles per Minute.
 - Mechanical 300 Cycles per Minute.
- Temperature Range..... -20~85°C
- Humidity Range..... 45~90% RH.
- Coil Temperature Rise..... 55°C Max.

- Vibration:
 - Endurance 10 to 55 Hz dual amplitude width 1.5mm.
 - Error Operation 10 to 55 Hz dual amplitude width 1.5mm.
- Shock:
 - Endurance 1,000 m/S².
 - Error Operation 100 m/S².
- Life Expectancy:
 - Mechanical 10⁷ Operations at No Load condition.
 - Electrical 10⁵ Operations at Rated Resistive Load.
- Weight.....About 26.6 g.

Safety Standard & File Number

- UL & C-ULE141060
- TÜVR50191690

Coil Specification (at 20°C)

Coil Sensitivity	Nominal Voltage (VDC)	Nominal Current (mA)	Coil Resistance ($\Omega \pm 10\%$)	Power Consumption (W)	Pull-In Voltage (VDC)	Drop-Out Voltage (VDC)	Maximum Allowable Voltage (VDC)
GI	6	150	40	Abt. 0.9	70% Maximum	10% Minimum	110%
	12	75	160				
	24	37.5	640				
	48	18.8	2,560				

Ordering Information

GI - S - 1 12 D M F H CF

Insulation System:

Nil: Standard Class

CF: F Class

Contact Rating: H: 25A/277VAC(With Insulator Inside)

Terminal Type: F: With PC Board & Plug-in Terminal

P: PC Board Terminal Only

Contact Form: M: One Form A

Coil Type: D: Standard DC Coil

Coil Voltage: 06: 6V, 12: 12V, 24: 24V, 48: 48V

Number of Pole: 1: One Pole

Type of Sealing: S: RT I Dust Protected Relays

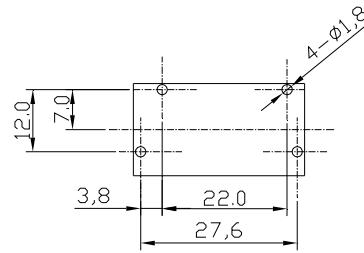
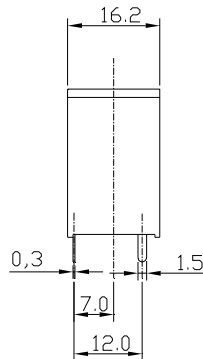
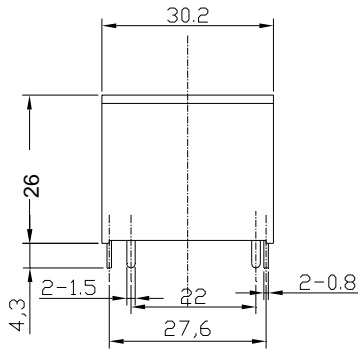
Type: GI

Classification

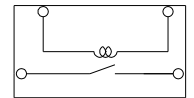
Model	GI			
Terminal Type	PC Board Terminal Only		With PC Board & Plug In Terminal	
Contact Rating		23A/277VAC(Insulator)		23A/277VAC(Insulator)
Hand Soldered Type		GI-S-1□□DMPH		GI-S-1□□DMFH

Dimension ($\leq 5\text{mm} \pm 0.2\text{mm}$, $> 5\text{mm} \pm 0.3\text{mm}$, the tolerance of PCB thru hole: $+0.1\text{mm}$)

GI-S-P

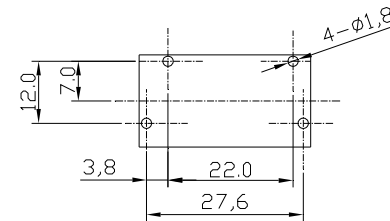
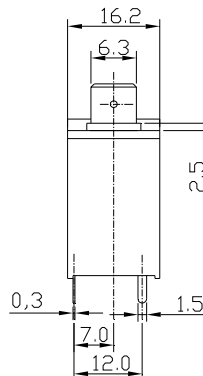
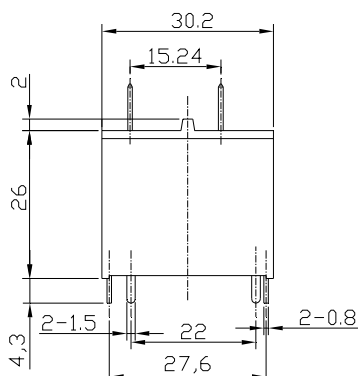


P.C.B. LAYOUT

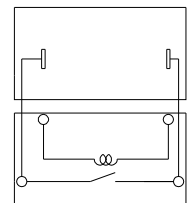


BOTTOM VIEW

GI-S-F



P.C.B. LAYOUT



BOTTOM VIEW