

Main Feature

1. SF: Flat formed type power relay rating 16A.
2. SFG: Flat formed type power relay with fasten terminals and PC board terminals.
3. Class F insulation system.
4. Low power consumption 200mW.
5. Halogen Free series available.



Contact Rating

Load Type	SF (DM)	SFG (DM)
Rated Load (Resistive)	15A 125VAC	15A 125VAC
	10A 277VAC	15A 250VAC
	16A 250VAC	10A 30VDC
	15A 24VDC	-
Contact capacity	1/4HP 125/250VAC TV-5 120VAC	-
Rated Carrying Current	16A	15A
Max. Allowable Voltage	AC 277V	AC 277V
Max. Allowable Current	16A	15A
Max. Allowable Power Force	4,000VA, 384W	3,750VA 300W
Contact Material	Ag Alloy	Ag Alloy
Contact Form	SPST	SPST

Application

Domestic, Appliance, Office Machine, Air Conditioner, Controlling Equivalent, etc.

Performance (at Initial Value)

- Contact Resistance 100mΩ Max. @1A,6VDC
- Operate Time..... 20 mSec. Max.
- Release Time 10 mSec. Max.
- Dielectric Strength:
 - Between Coil & Contact 1,500VAC at 50/60 Hz for one minute.
 - Between Contacts 1,000VAC at 50/60 Hz for one minute
- Surge Strength 5,000V (between Coil & Contact 1.2x50μSec.)
- Insulation Resistance 100 MegaΩ Min. at 500VDC
- Max. On/Off Switching:
 - Electrical..... 6 Cycles per Minute.
 - Mechanical 300Cycles per Minute.
- Temperature Range..... -40~85°C
- Humidity Range..... 45~85% RH.
- Coil Temperature Rise 35°C Max.
- Vibration:
 - Endurance 10 to 55 Hz dual amplitude width 1.5mm.
 - Error Operation..... 10 to 55 Hz dual amplitude width 1.5mm.
- Shock:
 - Endurance 1,000 m/S².
 - Error Operation..... 100 m/S².
- Life Expectancy:
 - Mechanical 10⁷ Operations at No Load condition.
 - Electrical 10⁵ Operations at Rated Resistive Load.
- Weight About SF :8.5g.
SFG :9.0g.

Safety Standard & File Number

- SF: UL & C-UL E141060
TÜV R9956053
- SFG: NIL

Coil Specification (at 20°C)

Coil Sensitivity	Nominal Voltage (VDC)	Nominal Current (mA)	Coil Resistance ($\Omega \pm 10\%$)	Power Consumption (W)	Pull-In Voltage (VDC)	Drop-Out Voltage (VDC)	Maximum Allowable Voltage (VDC)
SF/SFG	5	40	125	Abt. 0.20	70% Maximum	5% Minimum	150%
	6	34	180				
	9	23	405				
	12	17	720				
	18	11	1,620				
	24	8.3	2,880				
	48	4.2	11,520	Abt. 0.56			
100	5.6	18,000					

Ordering Information

SF - SS - 1 12 D M F

Insulation System:

Nil: Standard Class

F: F Class

Contact Form:

M: One Form A

Coil Type:

D: Standard DC Coil

Coil Voltage:

05: 5V, 06: 6V, 09: 9V, 12: 12V,

18: 18V, 24: 24V, 48: 48V, 100: 100V

Number of Pole:

1: One Pole

Type of Sealing:

SS: RT II Flux Proofed Relays

SH: RT III Wash Tight Relays

Type:

SF

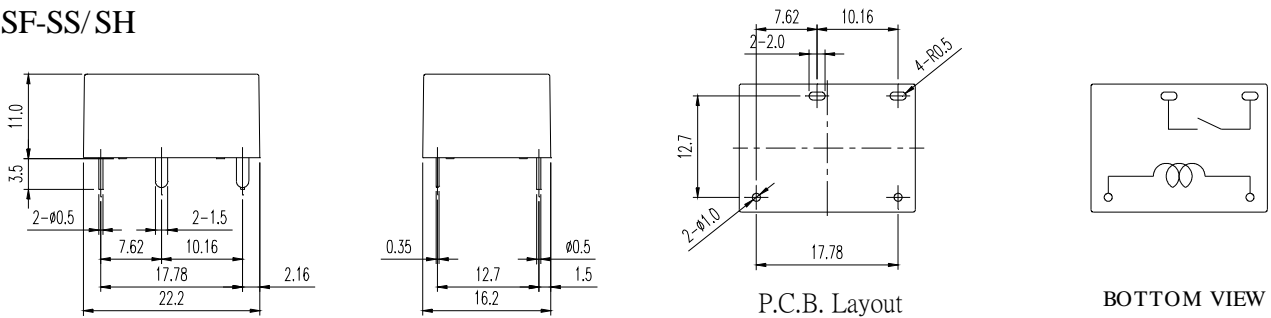
SFG

Classification

Model	SF	SFG
Contact Form	1A	1A
Flux Proofed Relay	SF-SS-1□□DM	SFG-SS-1□□DM
Wash Tight Relay	SF-SH-1□□DM	SFG-SH-1□□DM

Dimension ($\leq 5\text{mm} \pm 0.2\text{mm}$, $> 5\text{mm} \pm 0.3\text{mm}$, the tolerance of PCB thru hole: $+0.1\text{mm}$)

SF-SS/SH



SFG-SS

