



LLR - P - 1 - 10 - 1C - 12D - P - A

Series Name:- LLR
 PCB Terminal Type:- P
 Single Phase:- 1
 Contact rating:- 10A
 Contact Form:- 1C
 Coil:- 12D:- 12VDC Double coil
 Coil Pins Polarity:- P:- Positive(Pin1+ve, Pin3-ve, Pin2+ve)
 Internal Code:- A

1) Characteristic

- Small size, 10A switching capability.
- Strong anti-shock and anti-vibration capability.
- Outline size: 29.0x12.7x15.7mm.
- Low coil consumption, ultra-low temperature rise.
- Low contact resistance.

2) Specification

Insulation resistance		1000MΩ (500VDC)
Dielectric Strength	Between Coil & Contacts	4000VAC 1min
	Between Open Contacts	1000VAC 1min
Operate Time		≤15msec. Max.
Release Time		≤15msec. Max.
Shock resistance	Functional	98m/S ²
	Destructive	980m/S ²
Vibration resistance		10~55Hz 1.5mm
Humidity		5%~85% RH
Ambient temperature		-40~+70°C
Termination		PCB
Unit weight		15g
Construction		Dust protected

3) Contact Data

Contact form	1A/1B/1C
Contact material	Silver Alloy
Contact resistance	Max.:≤20mΩ
Contact Rating	1A/1B 16A 250VAC 1C 10A 250VAC
Max. Switching Power	4000VA
Mechanical life	1×10 ⁶
Electrical life	1×10 ⁴

4) Coil Data

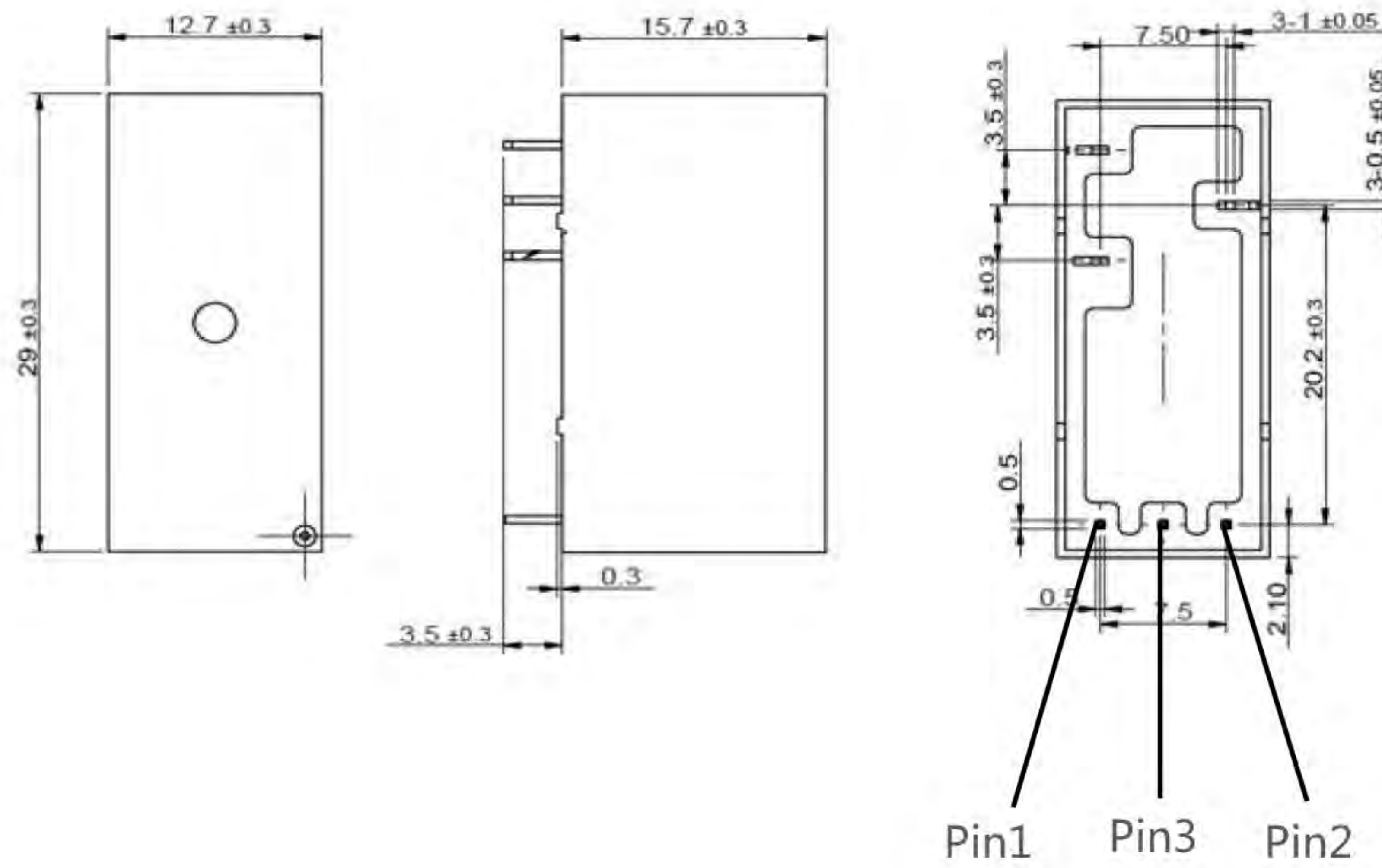
Coil power		Double coil: 1.0W	
(VDC) Rated Voltage	(VDC) Pick-up voltage	(ms) Pulse Duration	(Ω) Coil Resistance
Double coil			
5	3.75	50	2x25±10%
9	6.75	50	2x81±10%
12	9	50	2x144±10%
24	18	50	2x576±10%
48	36	50	2x2304±10%

5) Typical Application

- Prepayment Energy Meter; AMR System, Electrical Telecommunication, Auto Controlling.

6) Dimensions(mm)/ Circuit Diagram

Double coil



Double coil

