

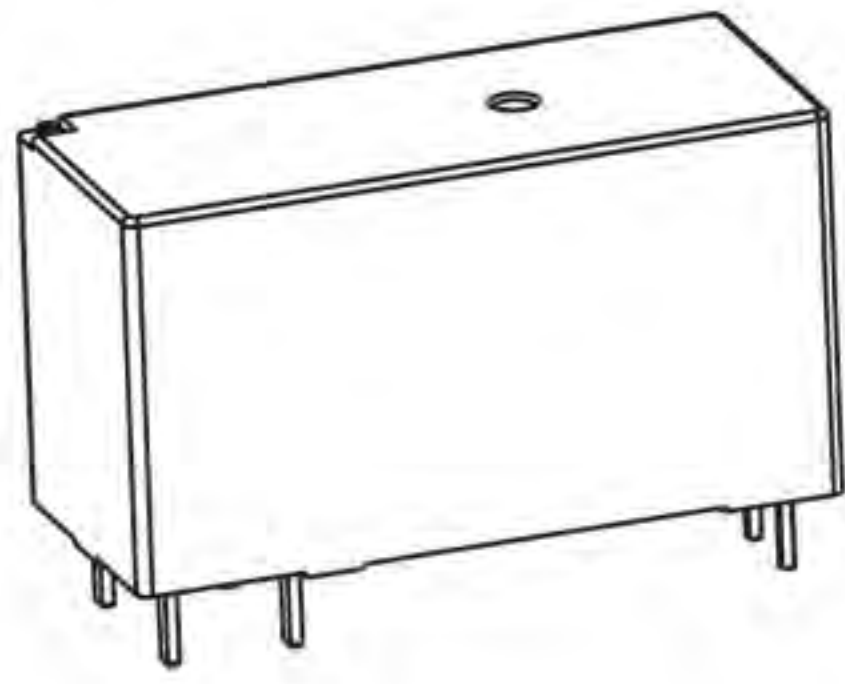
16A: 1B/1C, 20A: 1B 250VAC

PCB Latching Relay

LLR-P-1-16-1B-12D-P-A-1

LLR-P-1-16-1C-12D-P-A-1

LLR-P-1-20-1B-12D-P-A-2



LLR - P - 1 - 16 - 1B - 12D - P - A - 1

Series Name:- LLR
 PCB Terminal Type:- P
 Single Phase:- 1
 Contact rating:- 16A/20A
 Contact Form:- 1B/1C
 Coil:- S: Single; D: Double 5V,6V,12V,24V (DC)
 Coil Pins Polarity:- P:- Positive(Pin1+ve, Pin3-ve, Pin2+ve)
 Internal Code:- A
 Version: 1:VER1 (16A) ; 2:VER2 (20A)

1) Characteristic

- 20A Contact switching capability.
- RoHS compliant
- 4KV dielectric strength between contact and coil
- Size: 29x12.7x15.7mm.

2) Specification

Insulation resistance	1000MΩ (500VDC)	
Dielectric Strength	Between Coil & Contacts	4000 VAC (50/60Hz 1 Min)
	Between Open Contacts	1000 VAC (50/60Hz 1 Min)
Operate Time	10msec. Max.	
Release Time	10msec. Max.	
Shock resistance	98m/S ²	
Vibration resistance	10~55Hz 1.5mm	
Humidity	5%-85% RH	
Ambient temperature	-40~+70°C	
Termination	PCB	
Unit weight	12g	
Construction	Sealed	

3) Contact Data

Contact form	1B/1C	1B
Contact material	AgSnO ₂	
Contact resistance	Max.: 50mΩ (1A 6VDC)	
Contact Rating	16A/250VAC	20A 250VAC
Max. Switching Power	4000vA (1 Min)	
Mechanical life	1×10 ⁶	
Electrical life	1×10 ⁵ (16A)	6×10 ⁴ (20A)

4) Coil Data

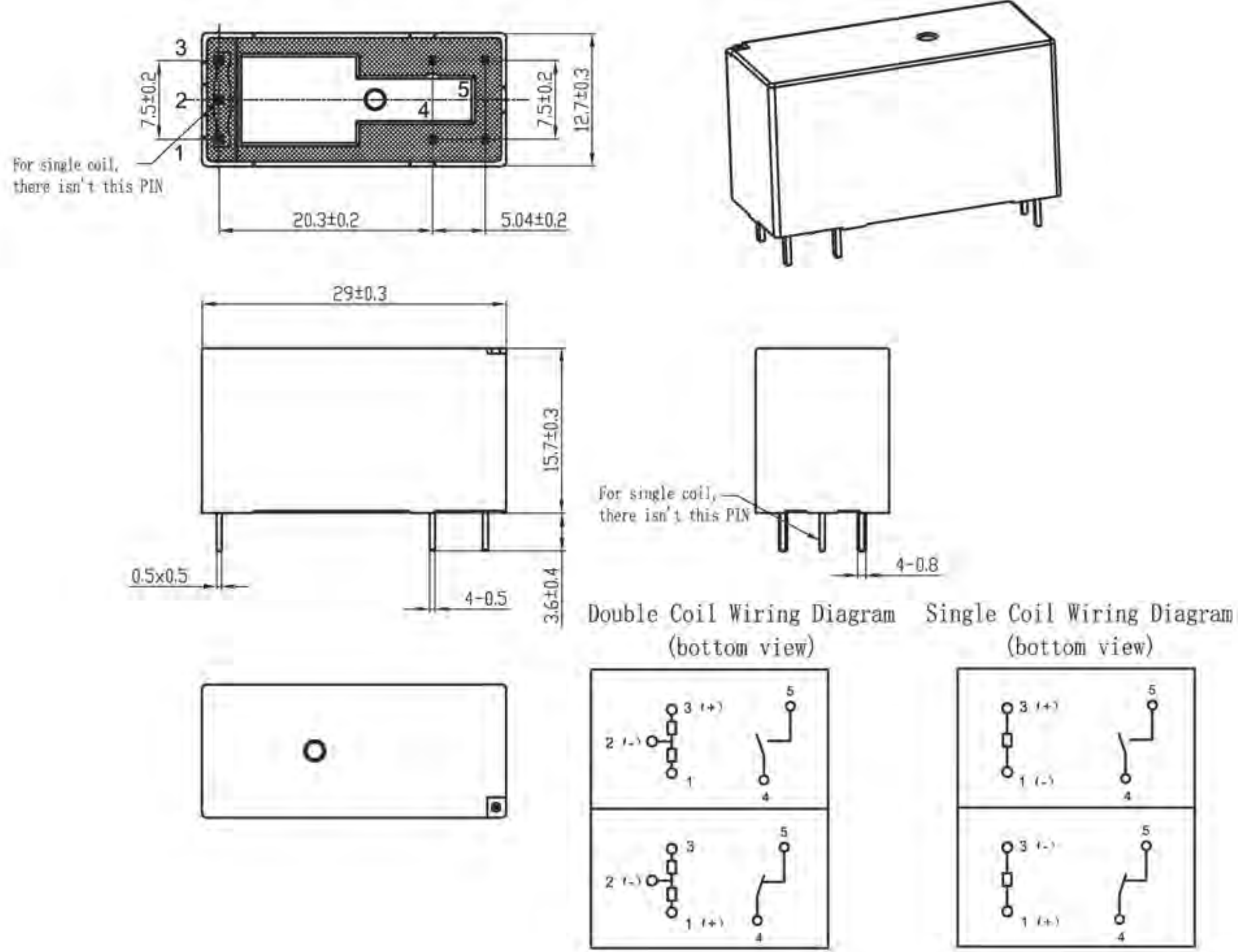
Coil power		Single coil: 0.64W Double coil: 1.28W	
(VDC) Rated Voltage	(VDC) Pick-up voltage	(ms) Pulse Duration	(Ω) Coil Resistance
Single coil			
5	≤3.75	≥50	50±10%
6	≤4.5	≥50	72±10%
12	≤9	≥50	288±10%
24	≤18	≥50	1152±10%
Double coil			
5	≤3.75	≥50	2x25±10%
6	≤4.5	≥50	2x36±10%
12	≤9	≥50	2x144±10%
24	≤18	≥50	2x576±10%

5) Typical Application

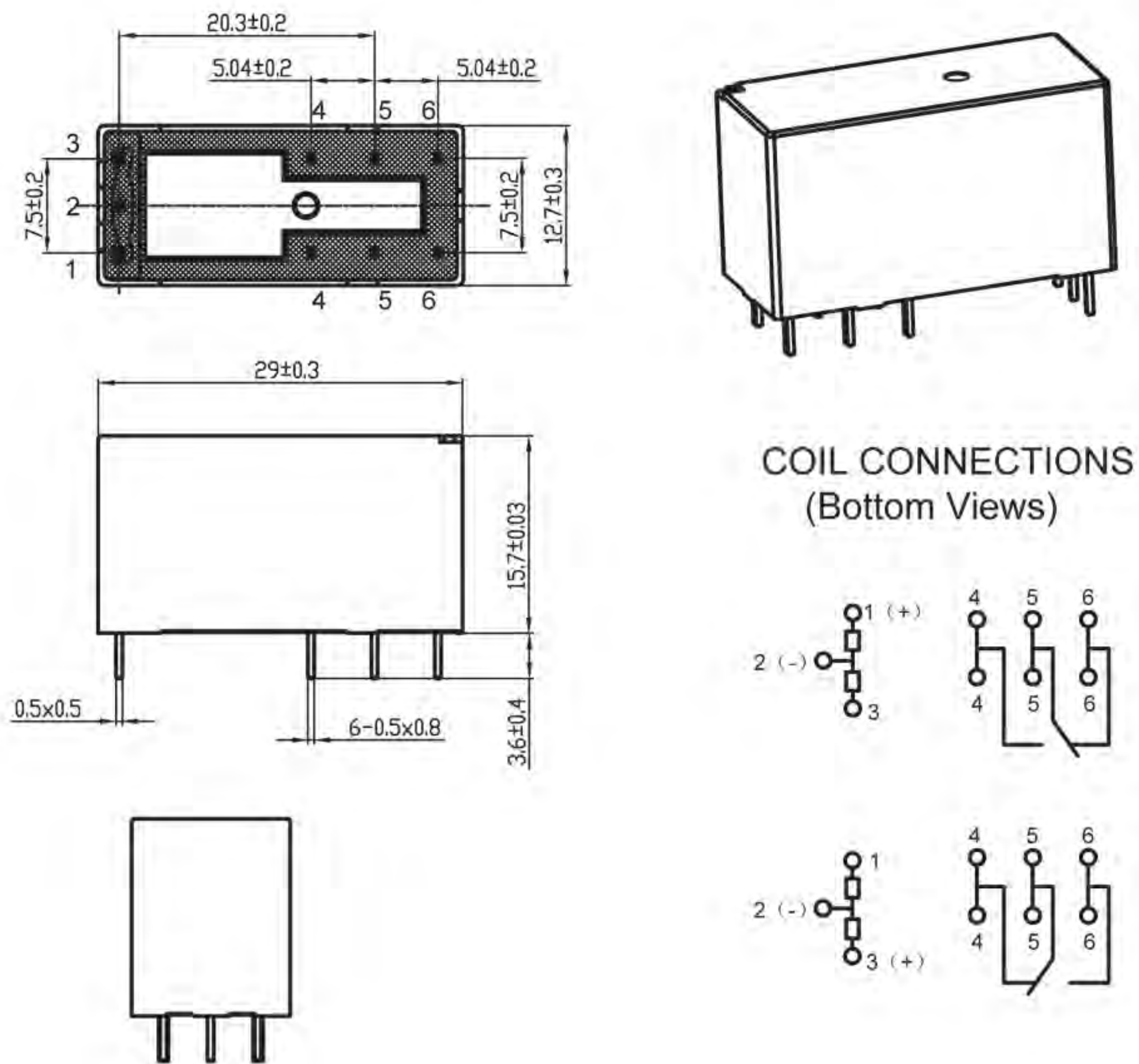
- Prepayment Energy Meter; AMR System, Compound Switch, Automatic control system, Smart Home, IOT etc.

6) Dimensions(mm)/ Circuit Diagram

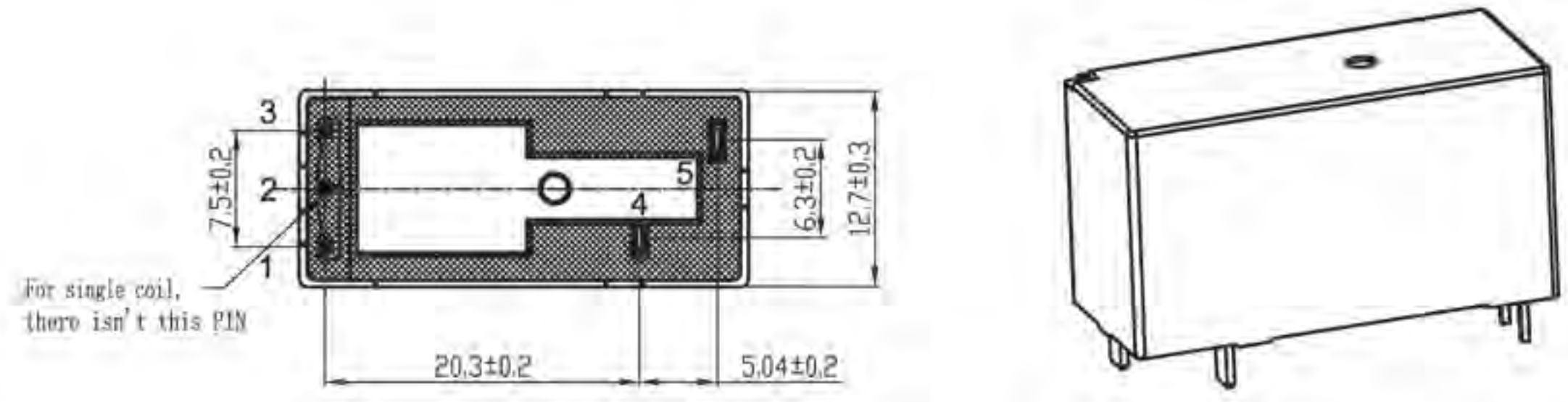
VER 1: 16A, 1B



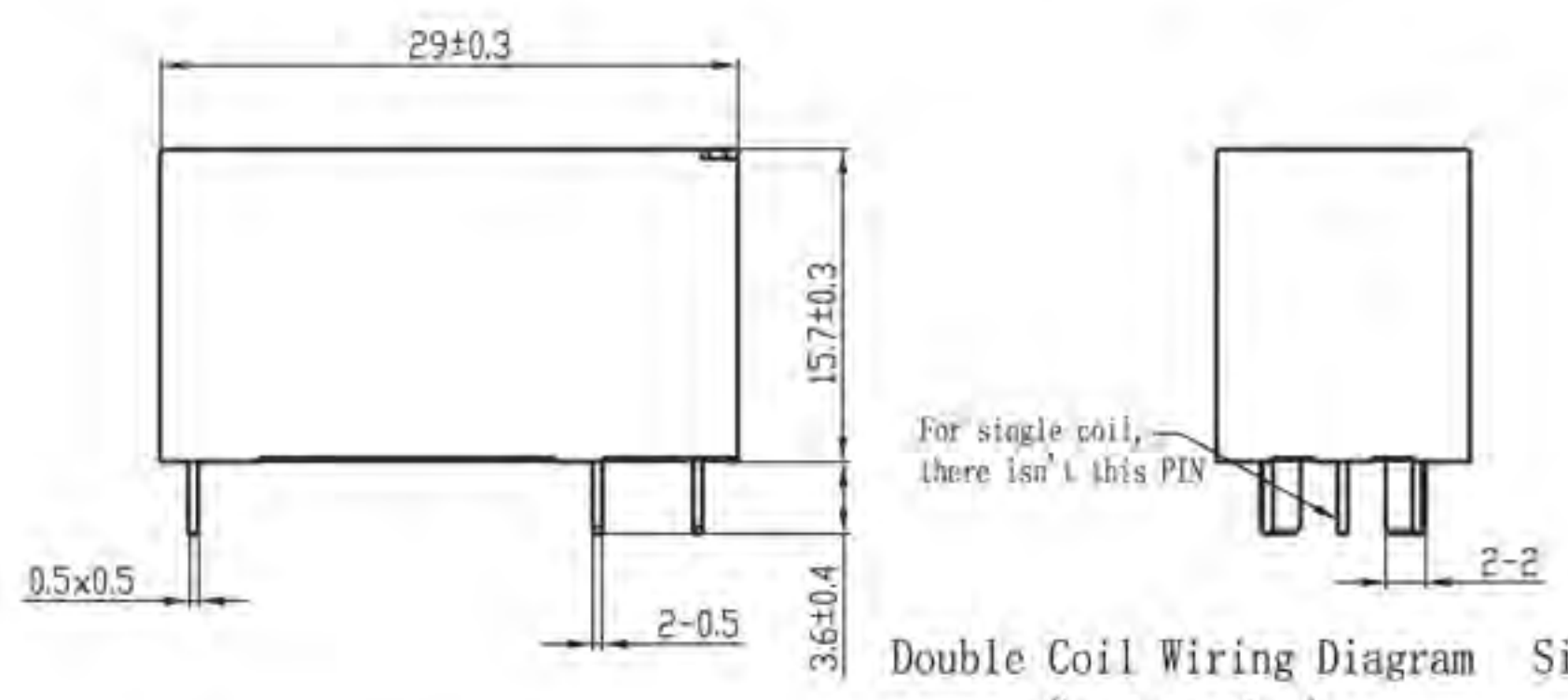
1C



VER 2: 20A, 1B



For single coil, there isn't this PIN



For single coil, there isn't this PIN

Double Coil Wiring Diagram (bottom view) Single Coil Wiring Diagram (bottom view)

