

Latching Relay

LLR-T-3-100-1A-12D-P-J-P



LLR - T - 3 - 100 - 1A - 12D - P - J - P

Series Name:- LLR
 Contact Terminal Type:- T
 Phase:- 3
 Contact rating:- 100A
 Contact Form:- 1A
 Coil:- 12D:- 12VDC Double coil
 Coil Pins Polarity:- P:- Positive(Pin1+ve, Pin3-ve, Pin2+ve)
 Internal Code:- J
 Contact Terminal Shape:- P Parallel

1) Characteristic

- 3x100A switching capability.
- Low coil consumption, ultra-low temperature rise.
- Outline size: 120.0x29.3x54.0mm.
- Low contact resistance.
- Strong anti-shock and anti-vibration capability.

2) Specification

Insulation resistance		1000MΩ (500VDC)
Dielectric Strength	Between Coil & Contacts	5000VAC 1min
	Between Open Contacts	2500VAC 1min
Operate Time		60msec. Max.
Release Time		60msec. Max.
Shock resistance	Functional	100m/S ² (10g)
	Destructive	1000m/S ² (100g)
Vibration resistance		10~55Hz 1.5mm
Humidity		98%RH ,40°C
Ambient temperature		-40~+70°C
Termination		Fast connection
Unit weight		380g
Construction		Dust protected

3) Contact Data

Contact form	3A/3B
Contact material	Ag Alloy
Contact resistance	Max.1.0 mΩ
Contact Rating	3X100A 250VAC
Max. Switching Power	25000VA
Mechanical life	5×10 ⁵
Electrical life	5×10 ³

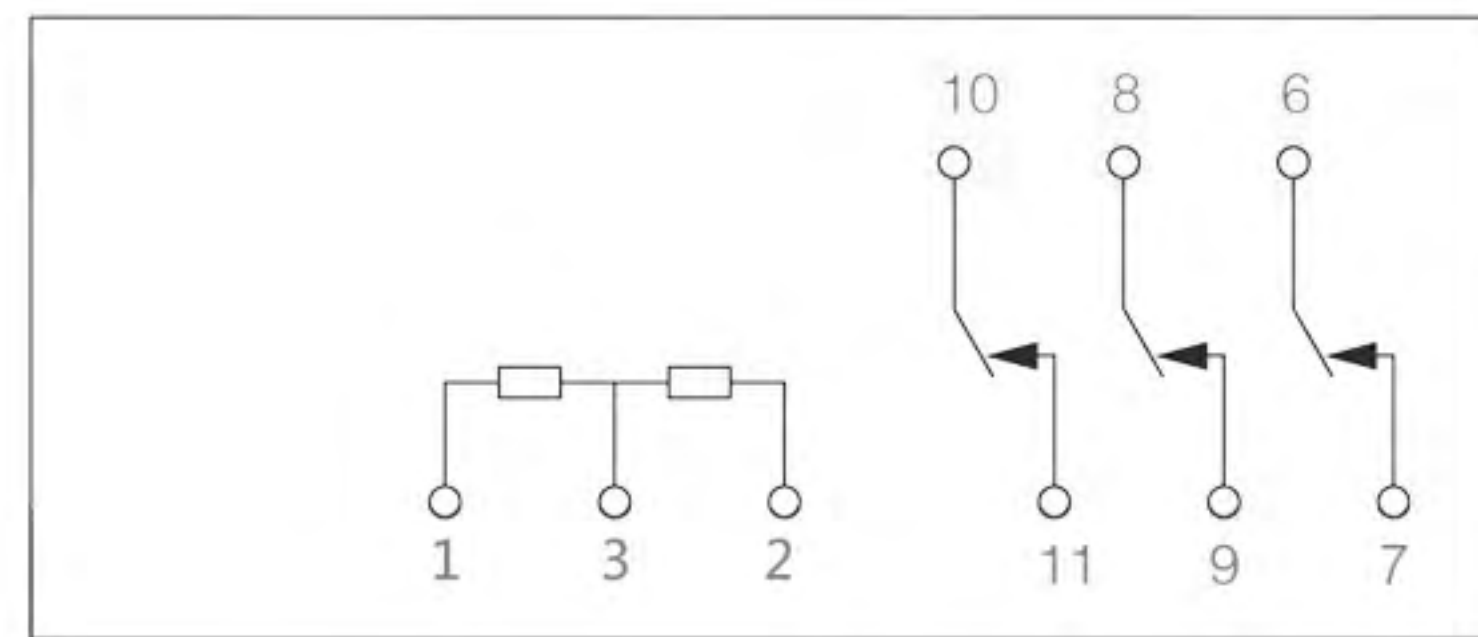
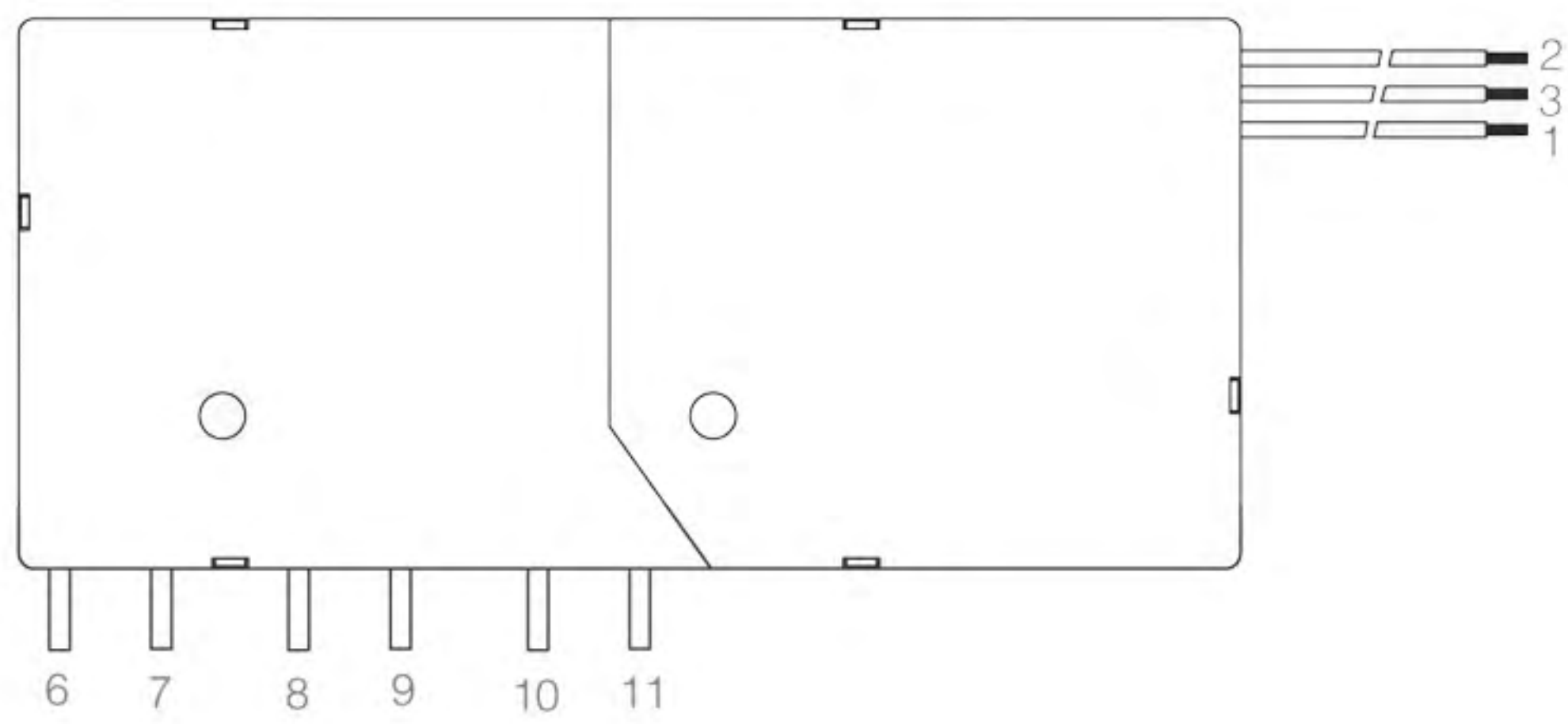
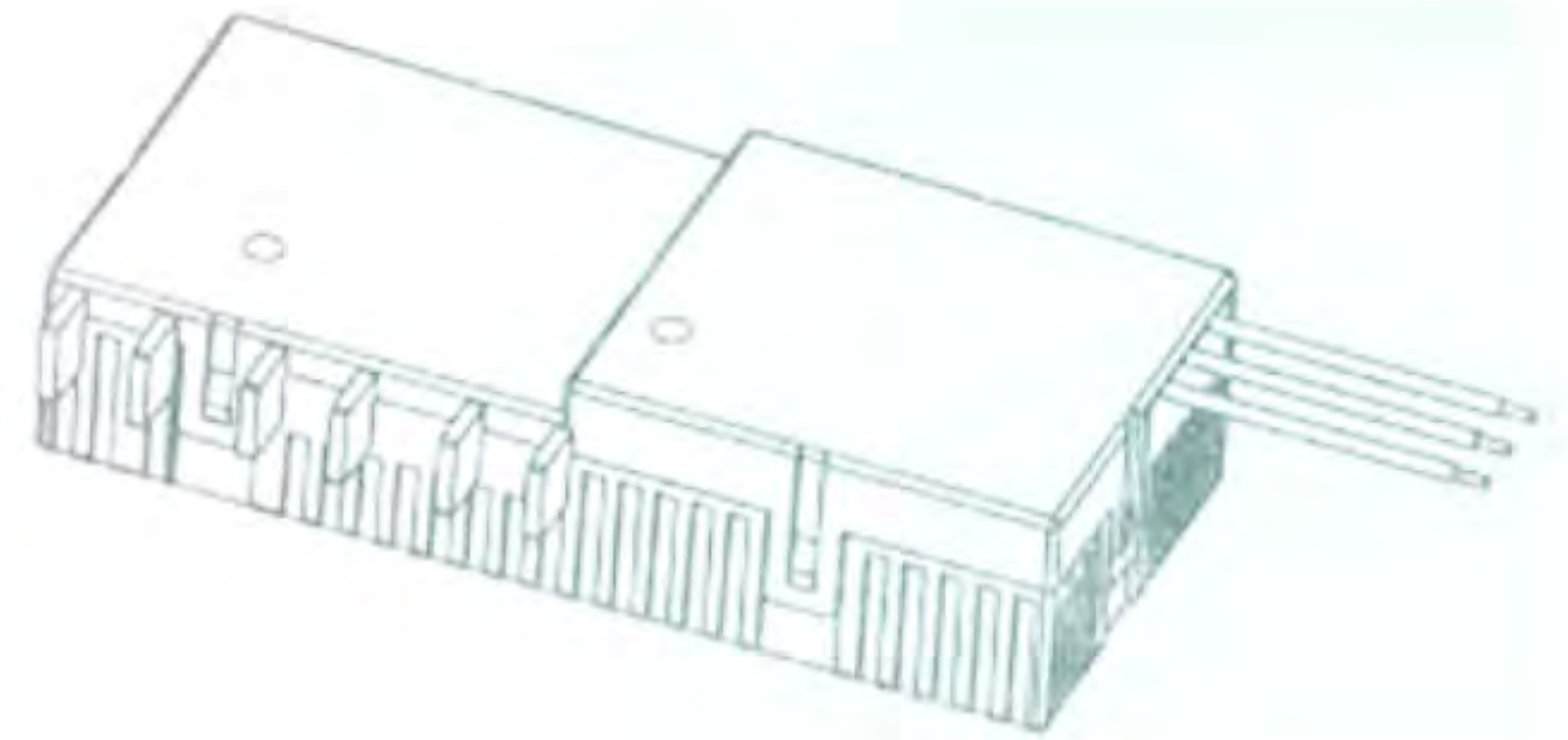
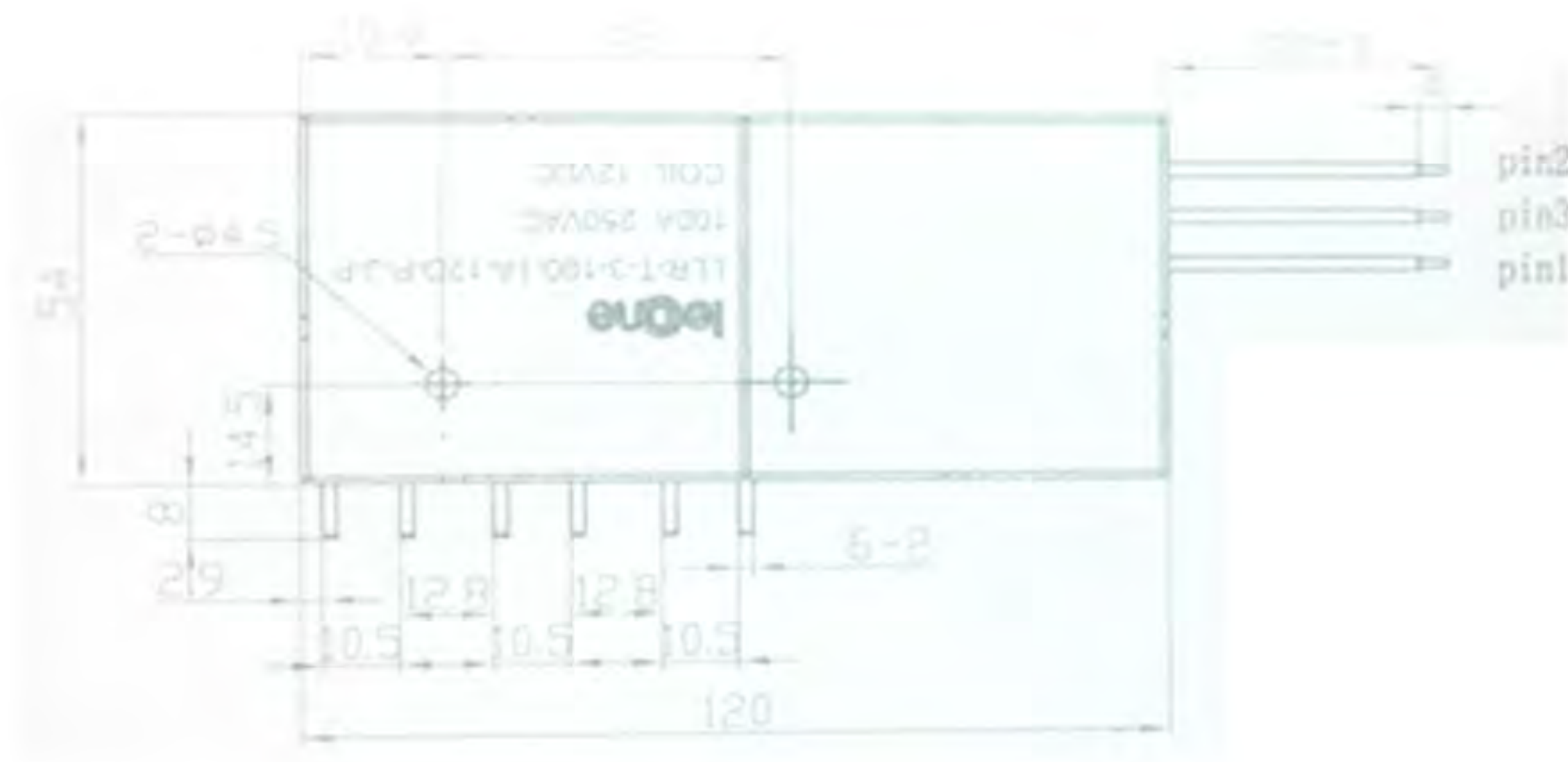
4) Coil Data

Coil power		Single coil: 2.5W Double coil: 5.0W	
(VDC) Rated Voltage	(VDC) Pick-up voltage	(ms) Pulse Duration	(Ω) Coil Resistance
Single coil			
9	6.75	180	32.4±10%
12	9	180	57.6±10%
24	18	180	230.4±10%
48	36	180	921.6±10%
Double coil			
9	6.75	180	2x16.2±10%
12	9	180	2x28.6±10%
24	18	180	2x115.2±10%
48	36	180	2x460.8±10%

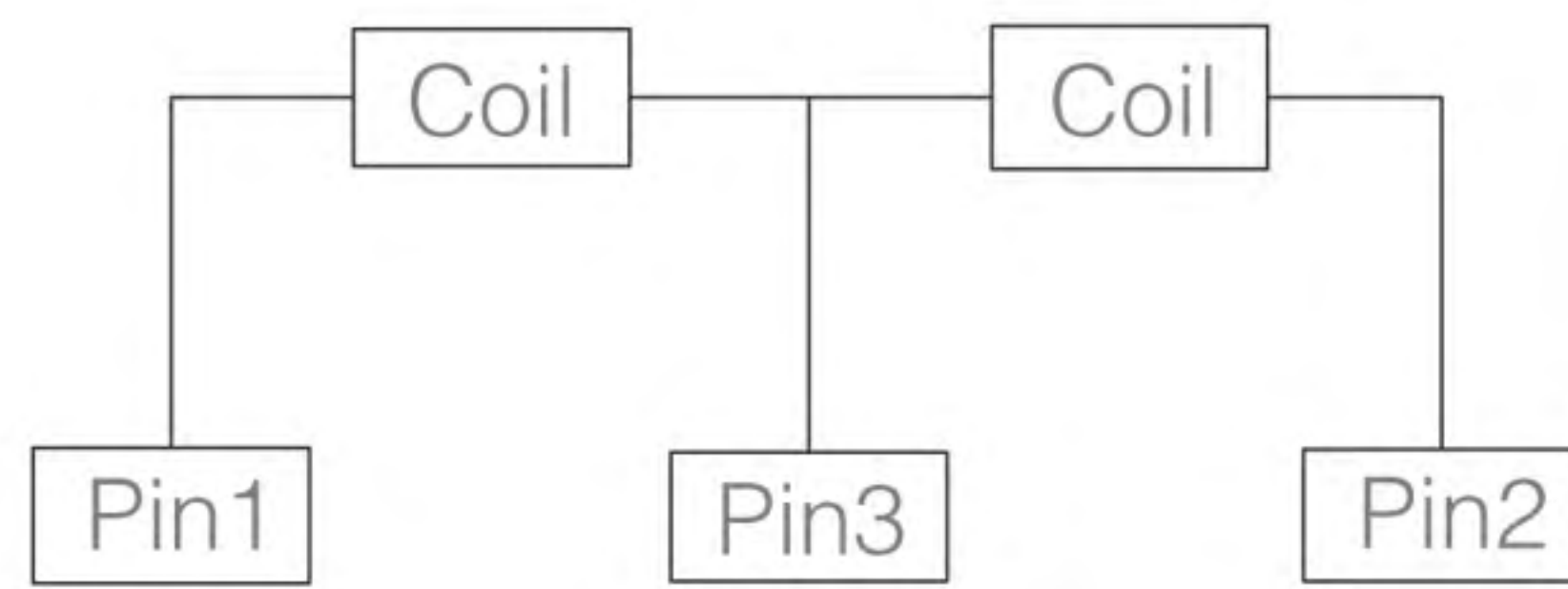
5) Typical Application

- Prepayment Energy Meter; AMR System, Compound Switch, Automatic Control System.

6) Dimensions(mm)/ Circuit Diagram



Double coil



+ve release -ve
-ve operate +ve