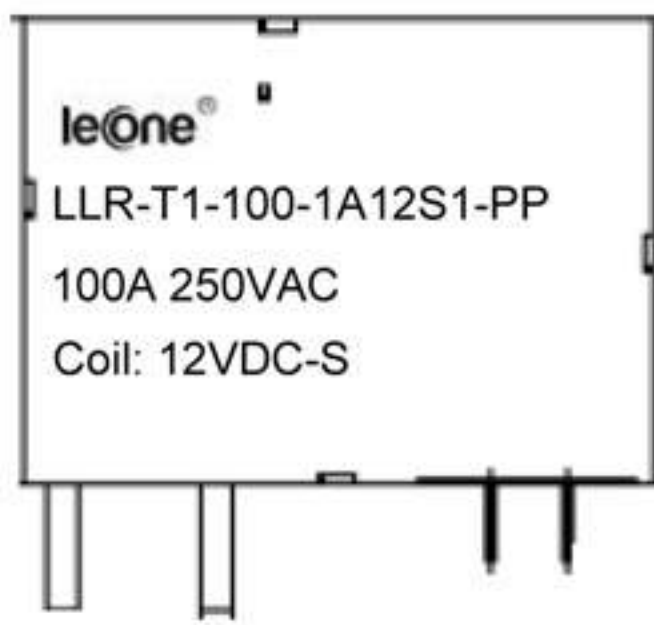

leOne[®]

LLR-T1-100-1A12S1-PP
LLR-T1-100-1A12D1W-PPB

Latching Relay

100A 250VAC, Latching 1A, 12VDC
Dual coil with Braided copper wire



LLR - T 1 - 100 - 1A 12D1 W - P P B

Series Name:- LLR
 Contact Terminal Type:- T
 Single Phase:- 1
 Contact rating:- 100A
 Contact Form:- 1A
 Coil:- 9,12, 24, 48VDC
 S1: Single - Same Side S2: Single - Opposite side
 D1: Double - Same Side D2: Double - Opposite side
 Coil terminal: Nill - Straight
 B - L Shape-PCB
 W - With Wire
 Coil Pins Polarity:- P:- Positive(Pin1+ve, Pin3-ve, Pin2+ve)
 Contact Terminal Shape:- P Parallel
 B: Braded copper wire
 Nill: Nill

1) Characteristic

- Small size, 100A switching capability.
- Low coil consumption, ultra-low temperature rise.
- Outline size: 40.4 x 30.0 x 17.0mm.
- Low contact resistance.
- Strong anti-shock and anti-vibration capability.

2) Specification

Insulation resistance		1000MΩ (500VDC)
Dielectric Strength	Between Coil & Contacts	4000VAC 1min
	Between Open Contacts	2000VAC 1min
Operate Time		20 msec. Max.
Release Time		20 msec. Max.
Shock resistance	Functional	98m/S ² (10g)
	Destructive	980m/S ² (100g)
Vibration resistance		10~55Hz 1.5mm
Humidity		98%RH ,40°C
Ambient temperature		-40~+80°C
Termination		Fast Connection
Unit weight		65g
Constrution		Dust protected

3) Contact Data

Contact form	1A
Contact material	AgSno2
Contact resistance	Max.: 0.8 mΩ
Contact Rating	100A 250VAC
Max. Switching Power	25000VA
Mechanical life	5×10 ⁵
Electrical life	1×10 ⁴

4) Coil Data

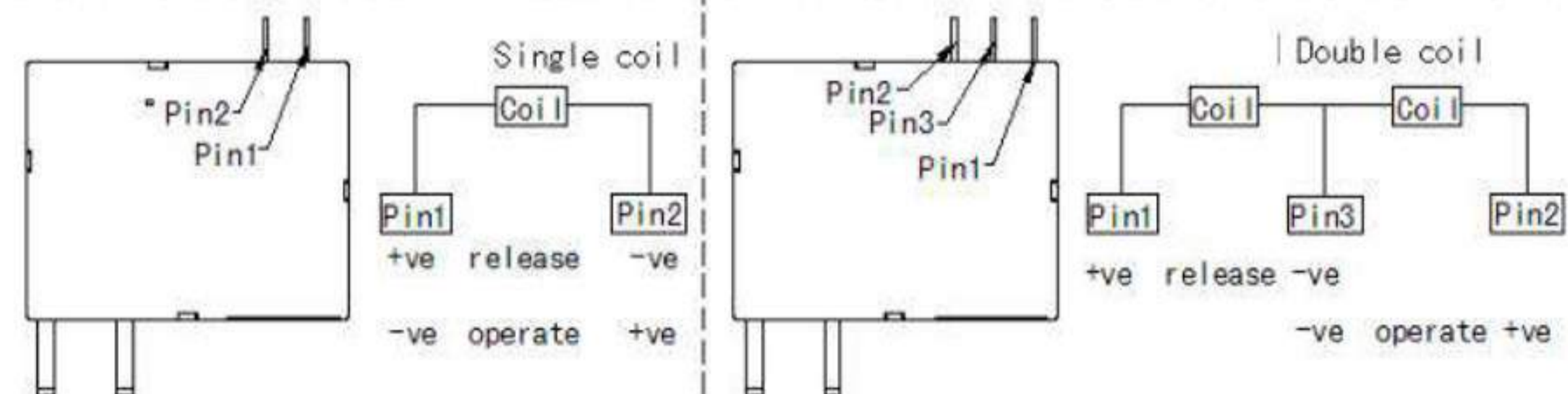
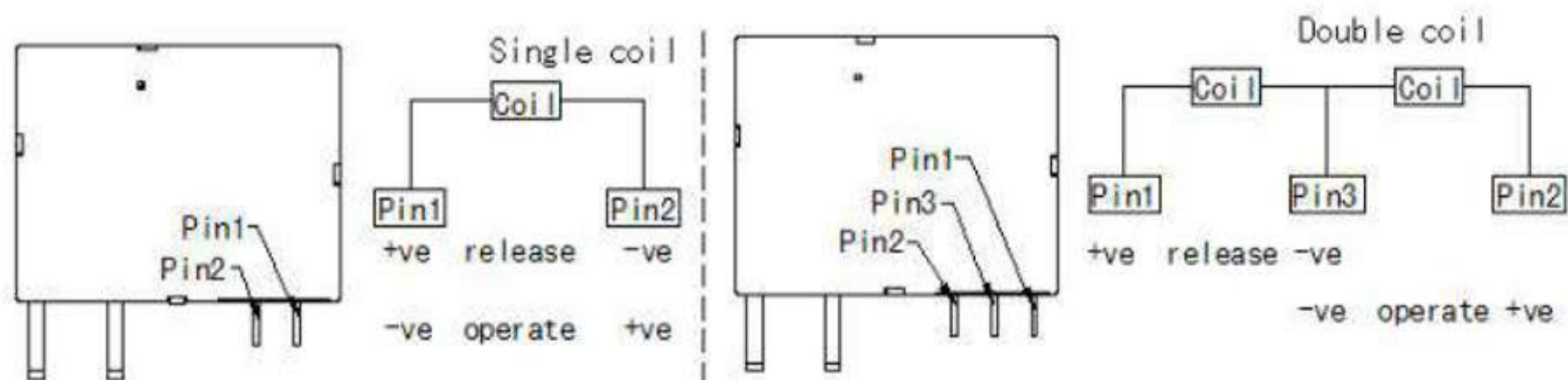
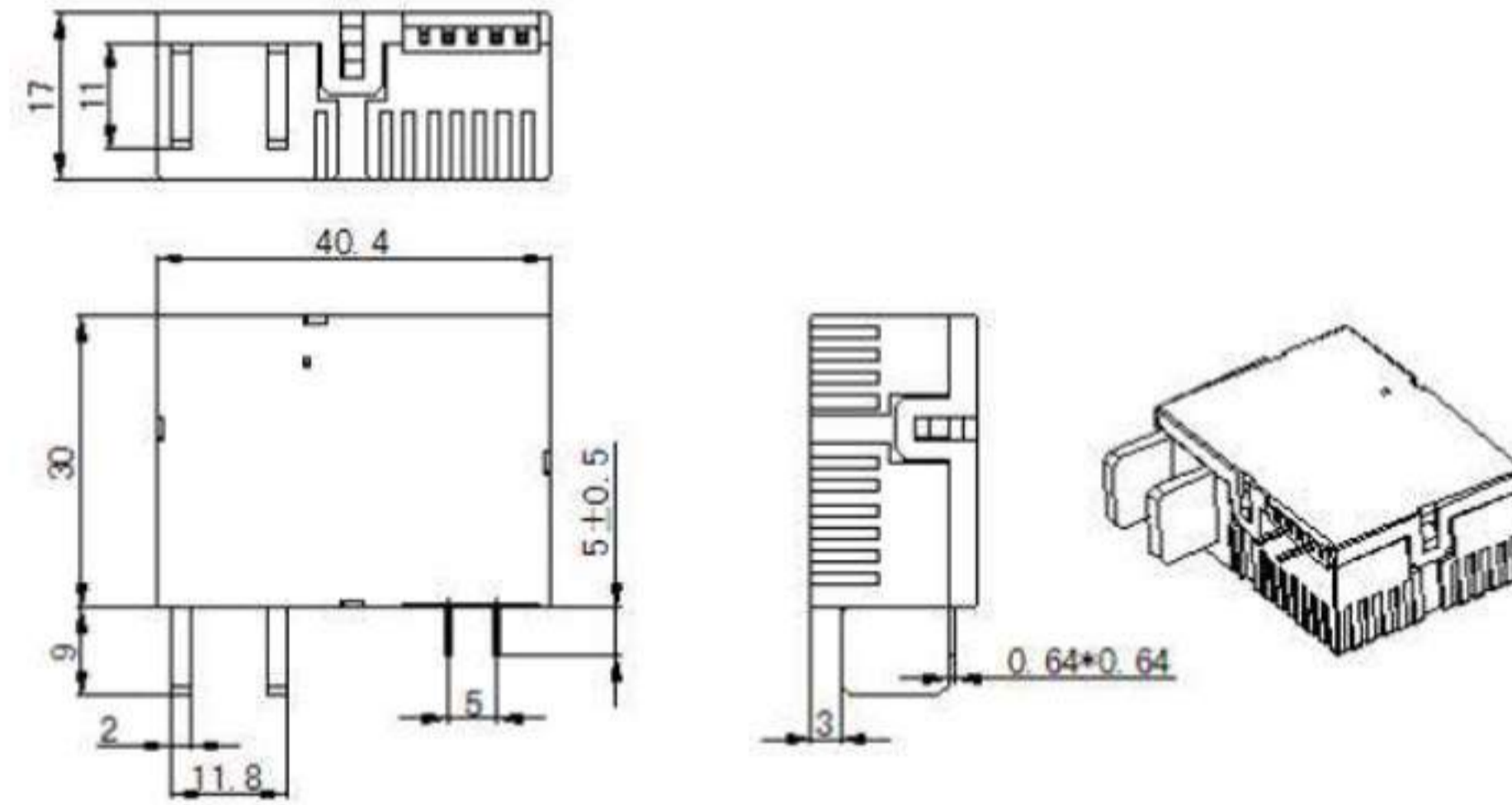
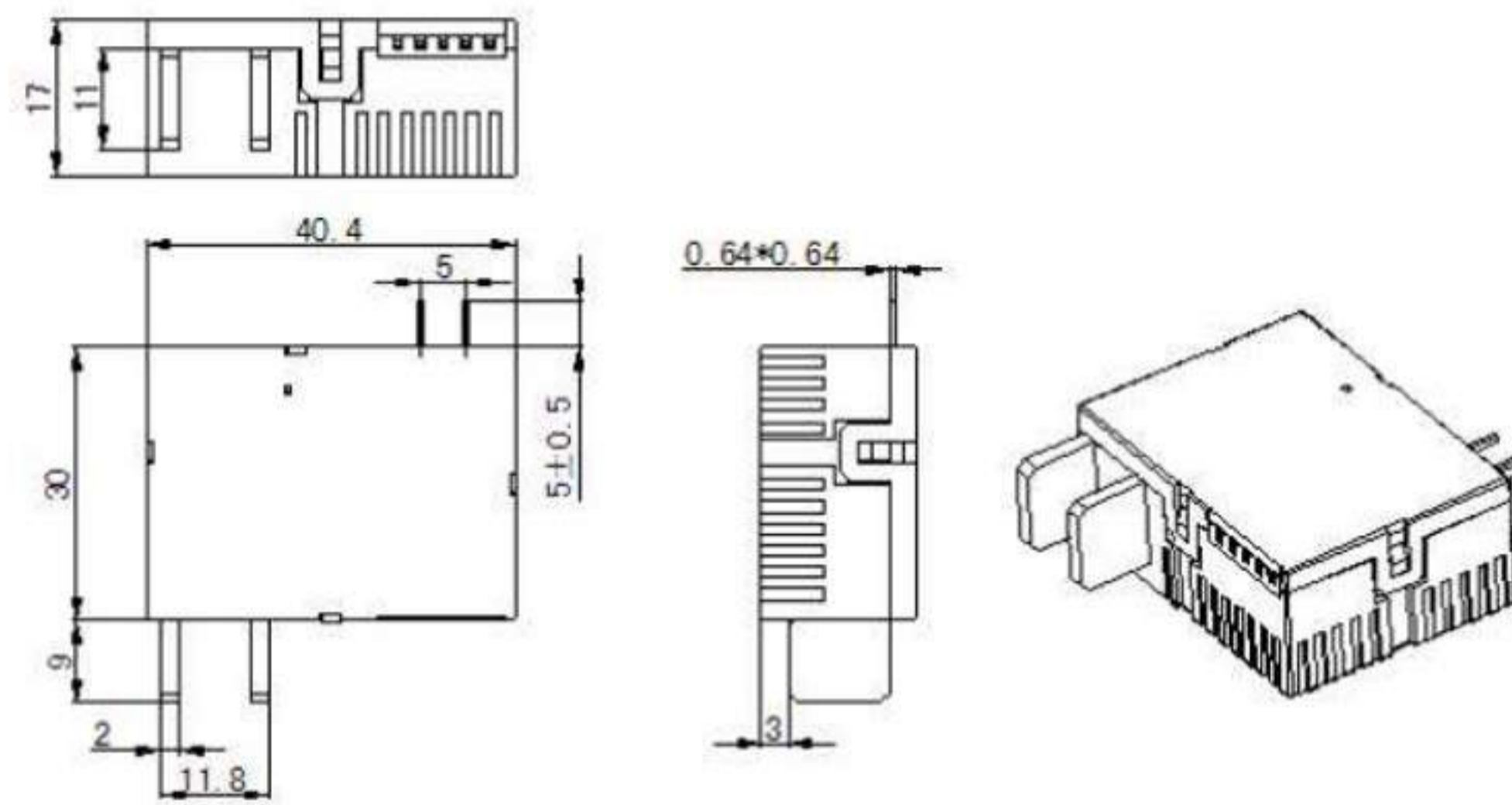
Coil power		Single coil: 2.3W Double coil: 4.6W	
(VDC) Rated Voltage	(VDC) Pick-up voltage	(ms) Pulse Duration	(Ω) Coil Resistance
Single coil			
9	6.8	50	35±10%
12	9	50	63±10%
24	18	50	250±10%
48	36	50	1000±10%
Double coil			
9	6.8	50	2x17.5±10%
12	9	50	2x31±10%
24	18	50	2x125±10%
48	36	50	2x500±10%

5) Typical Application

- Prepayment Energy Meter; AMR System, Compound Switch, Automatic Control System.

6) Dimensions (mm) / Circuit diagram

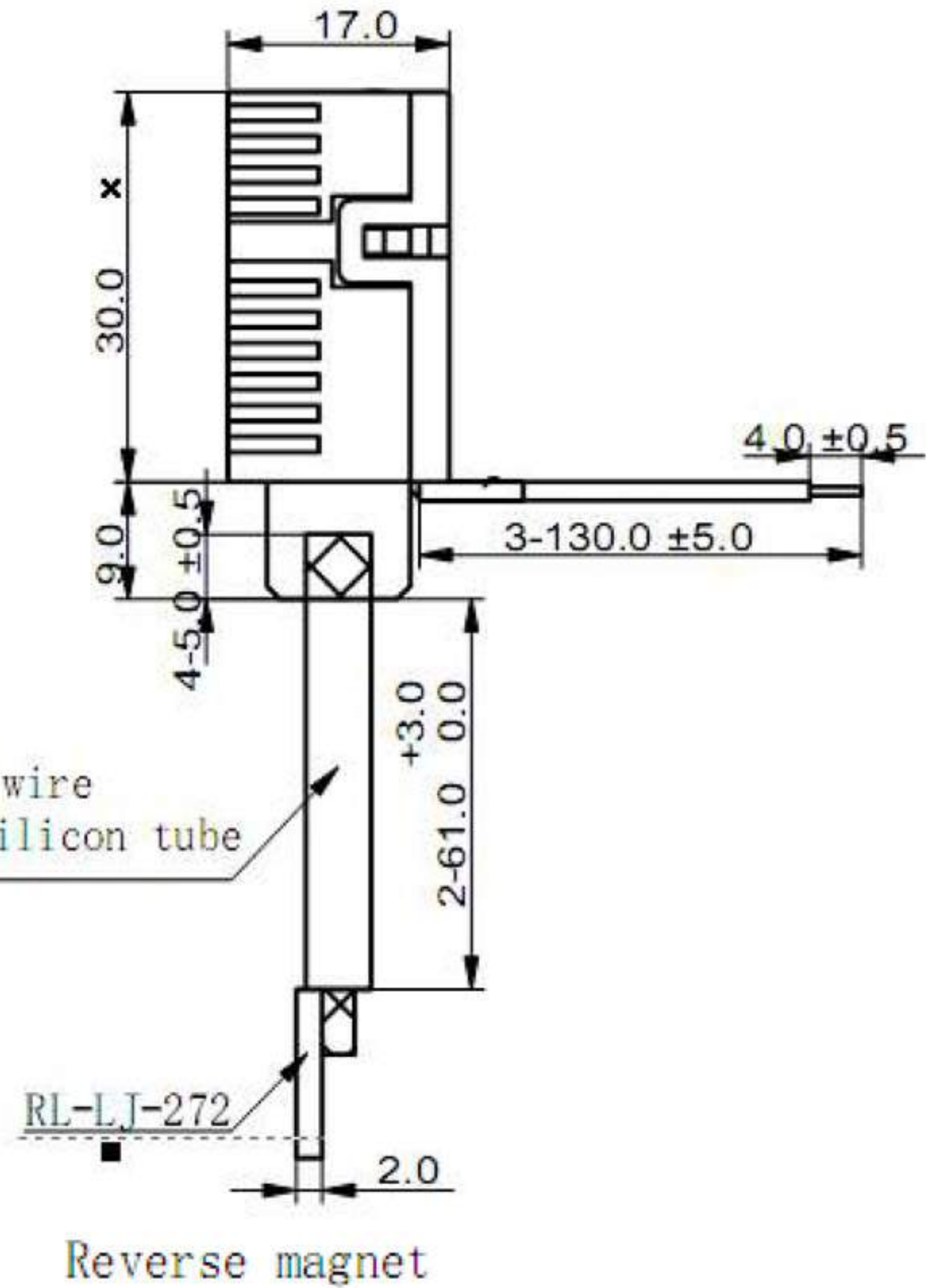
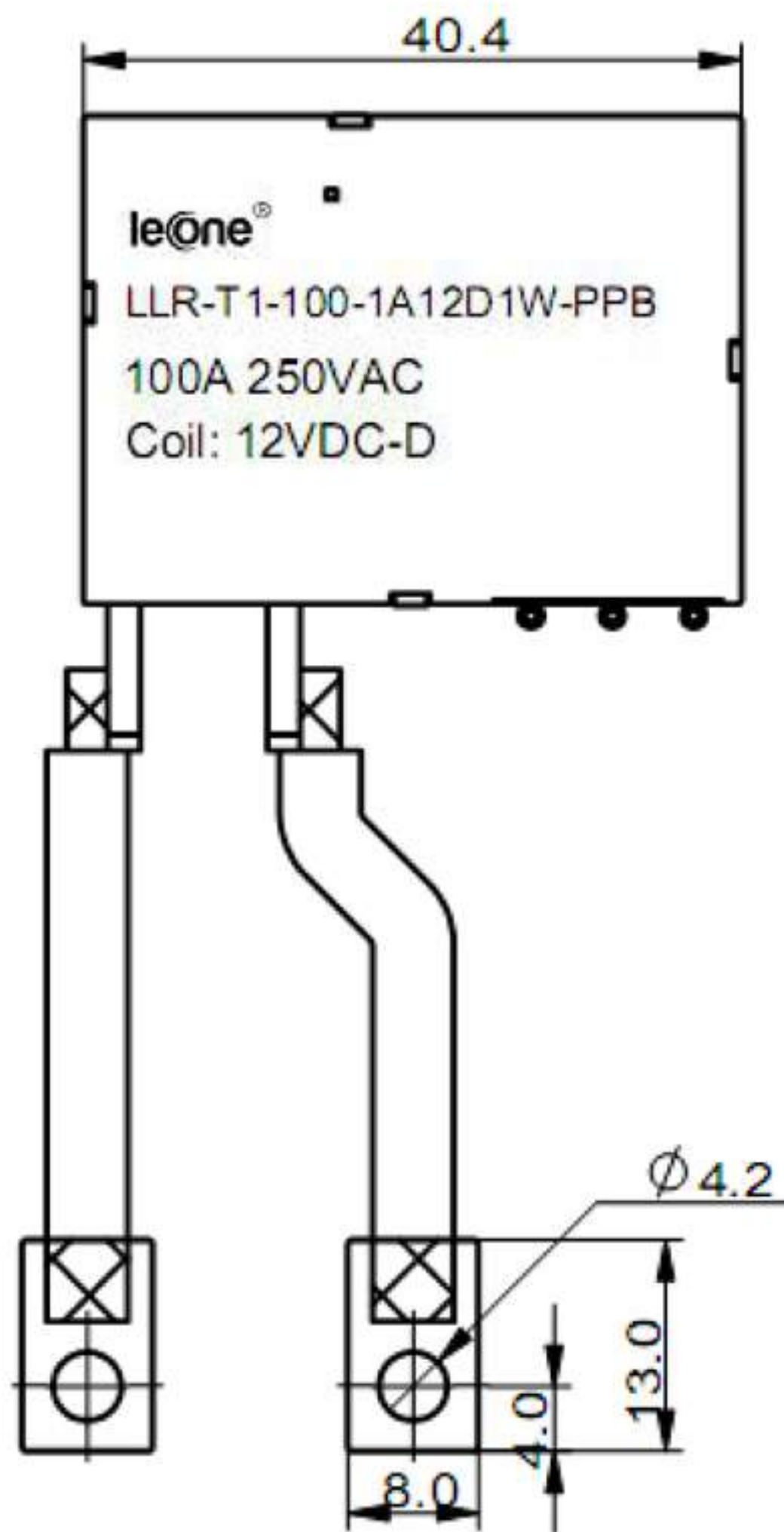
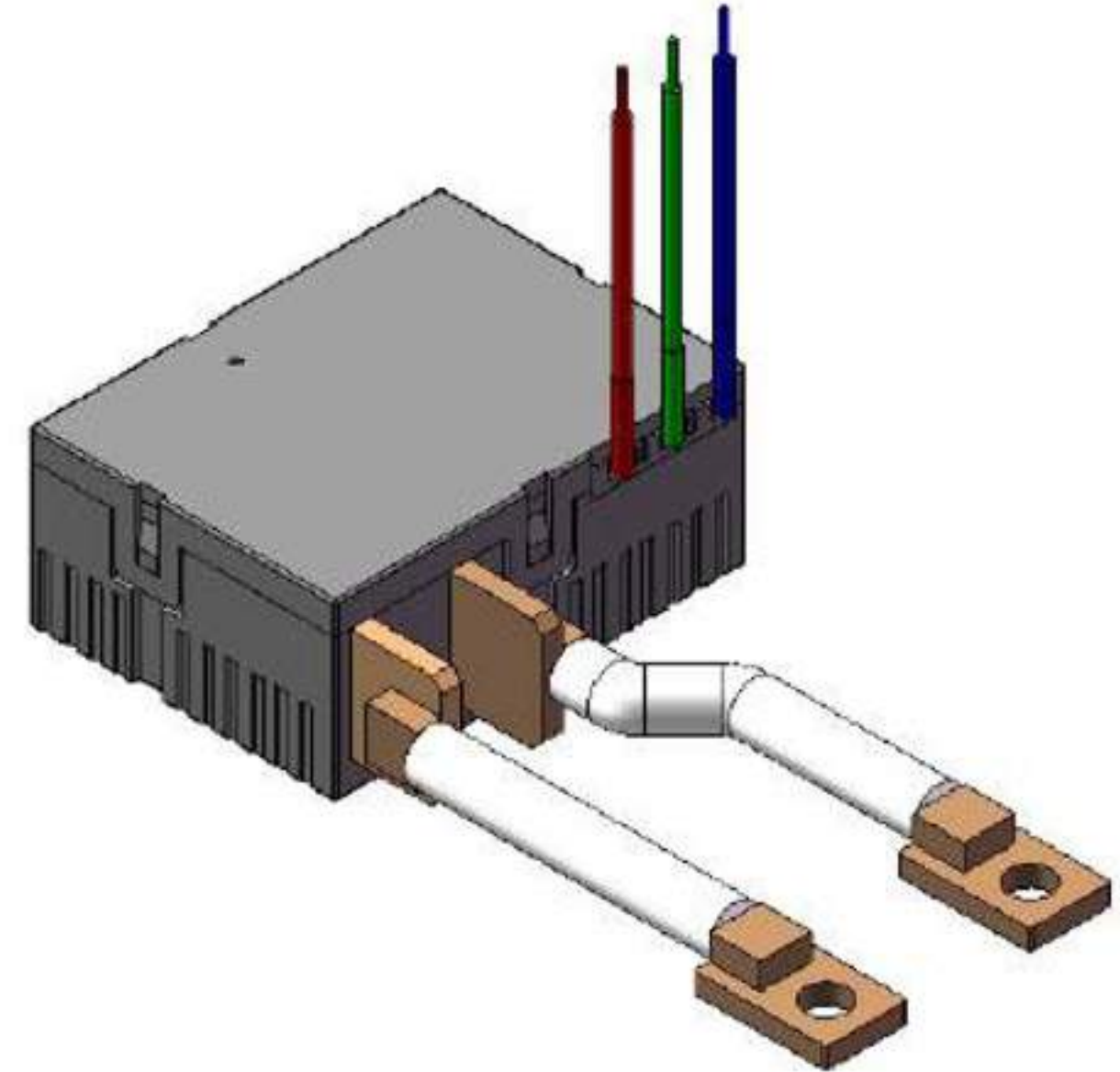
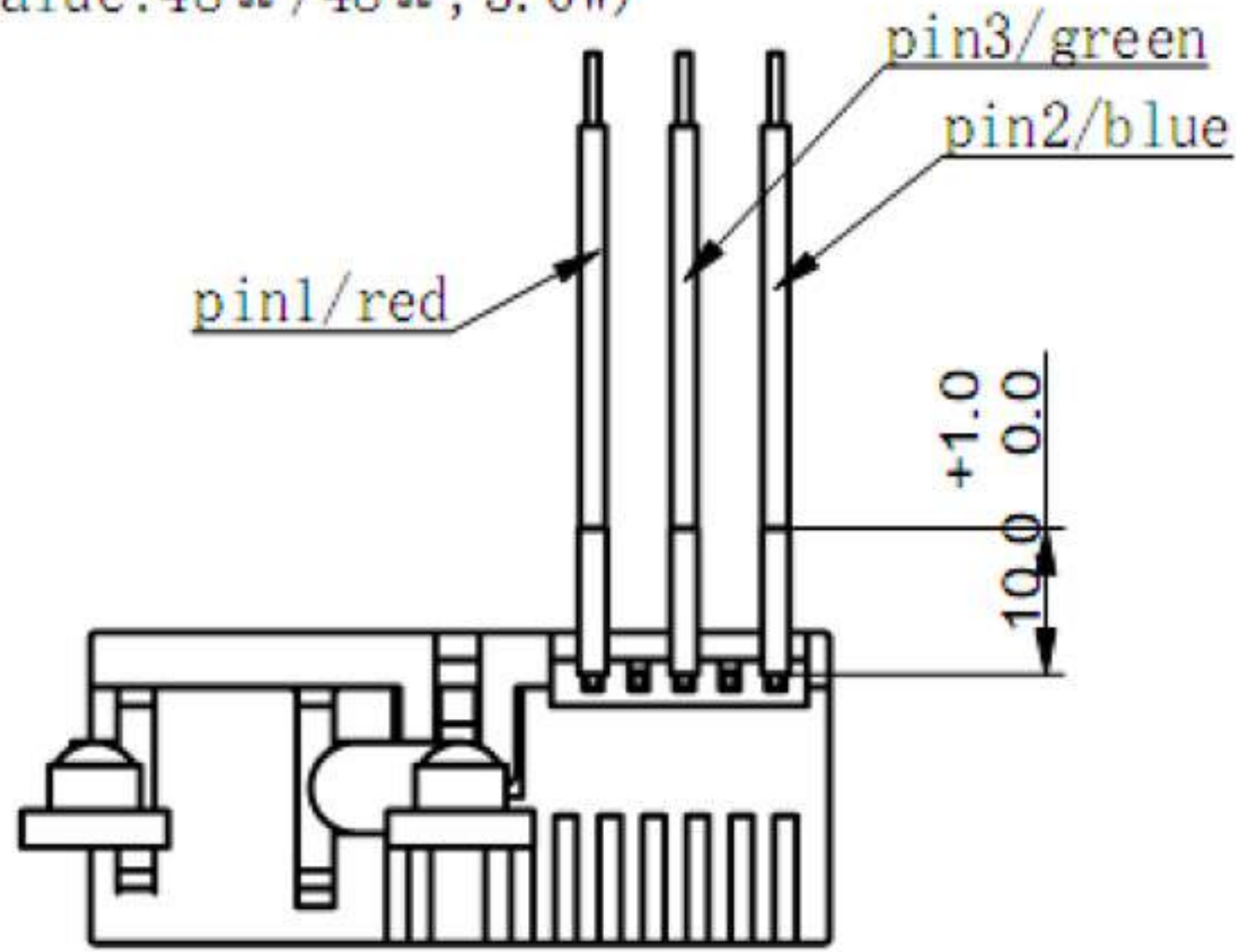
i) S1,D1 & S2 D2 Type: Same and opposite side contact and coil:



ii) D1 Type: Same side with braded copper wire:

LLR-T1-100-1A12D1W-PPB:

(Resistance value: $48\ \Omega / 48\ \Omega$, 3.0W)



Contact position		
Terminal-grid	1(+)/3(-)	2(+)/3(-)