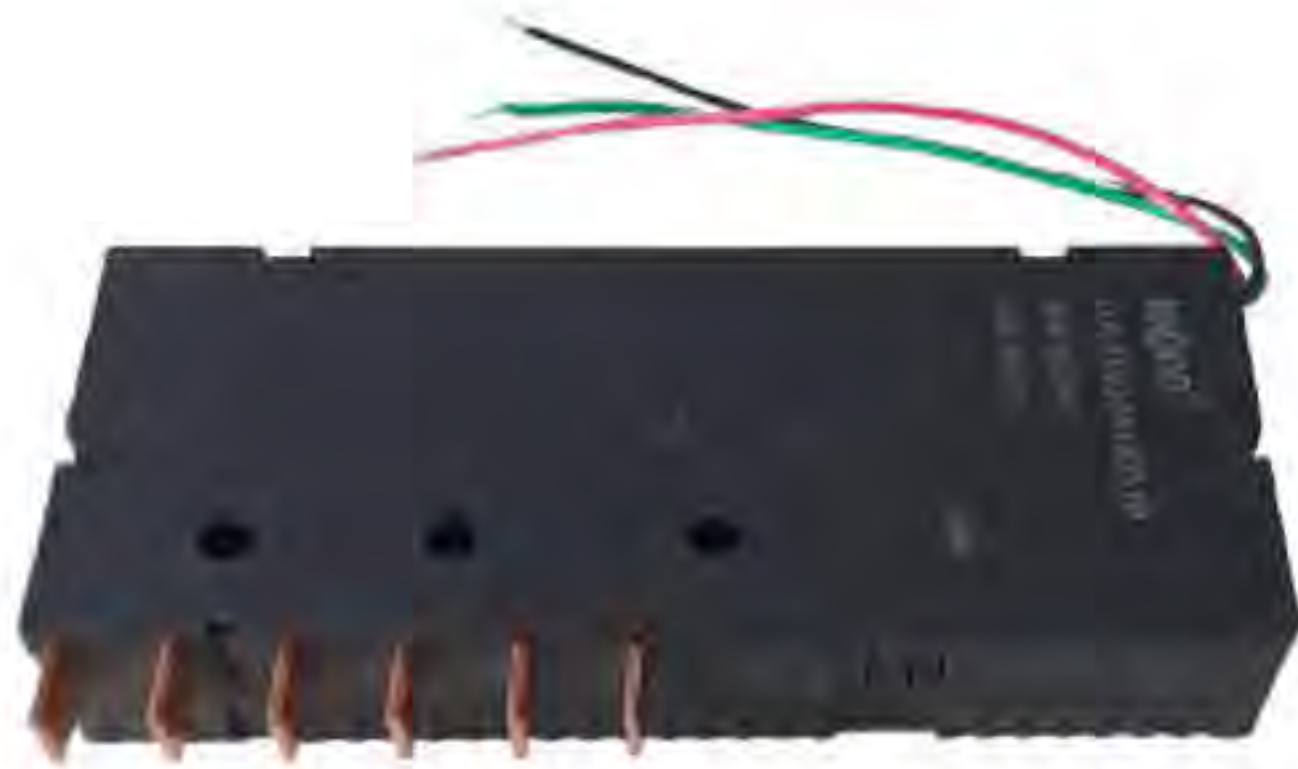

LLR-T3-60-3A12D2-PP

Latching Relay

60A/80A, 3 Phase, 3A/3B, 12VDC
Single/Dual coil Latching relay



LLR - T 3 - 60 - 3A 12D2 - P P B

Series Name:- LLR
 Contact Terminal Type:- T
 Single Phase:- 3
 Contact rating:- 60A/80A
 Contact Form:- 3A
 Coil:- 5: 5, 6, 9, 12, 24VDC
 S1: Single - Same side; S2: Single - Opposite Side
 D1: Double - Same side; D2: Double - Opposite Side
 Coil Pins Polarity:- P:- Positive(Pin1+ve, Pin3-ve, Pin2+ve)
 Contact Terminal Shape:- P: Parallel shape
 B: Braided copper Wire
 Nil: Nil

1) Characteristic

- Three sets of 60A/80A switching capability
- Auxiliary switch for contact on/off detection is provided
- Single coil and double coils are all available
- Breakdown voltage (between contact and coil): 4KV
- Meet the standard of IEC62055-31:2005 UC3
- Environment-friendly product (RoHS compliant)
- Outline Dimensions: (110.0×45.0×21.0) mm

2) Specification

Insulation resistance		1000MΩ (500VDC)
Dielectric Strength	Between Coil & Contacts	4000VAC 1min
	Between Contacts Sets	4000VAC 1min
	Between Open Contacts	2000VAC 1 min
Operate Time		≤ 30msec. Max.
Release Time		≤ 30msec. Max.
Shock resistance	Functional	98m/S ² (10g)
	Destructive	980m/S ² (100g)
Vibration resistance		10~55Hz 1.5mm
Humidity		5% to 85%
Ambient temperature		-40~+70°C
Termination		Plug In needle + Quickly contact type
Unit weight		200g
Construction		Flux proofed

3) Contact Data

Contact form	3A/3B
Contact material	AgSno2
Contact resistance	≤ 1mΩ (6VDC 1A)
Contact Rating	60A / 80A 250V
Max. Switching Power	20000VA
Mechanical life	1×10 ⁵
Electrical life	6×10 ³

4) Coil Data

Coil power		Single coil: 3W Double coil: 6W	
(VDC) Rated Voltage	(VDC) Pick-up voltage	(ms) Pulse Duration	(Ω) Coil Resistance
Single coil			
9	≤ 6.3	50	27 \pm 10%
12	≤ 8.4	50	48 \pm 10%
24	≤ 16.8	50	192 \pm 10%
48	≤ 33.6	50	768 \pm 10%
Double coil			
9	≤ 6.3	50	2x13.5 \pm 10%
12	≤ 8.4	50	2x24 \pm 10%
24	≤ 16.8	50	2x96 \pm 10%
48	≤ 33.6	50	2x384 \pm 10%

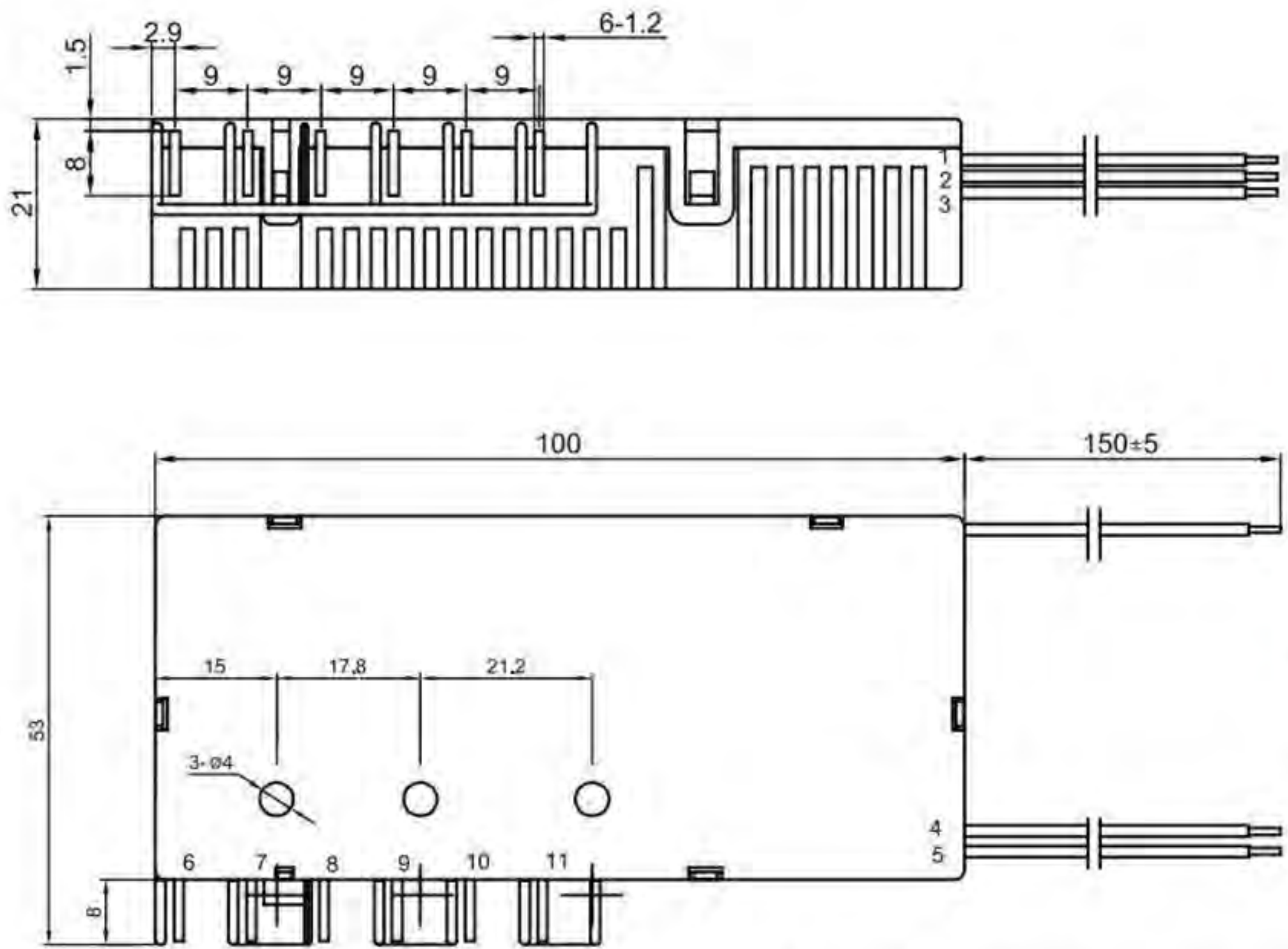
5) Typical Application

- Applications: IoT, Smart Metering, Smart Cities, Smart home, Energy Meter, Automation, Energy Storage, Home appliances etc.

GLAMOR
ELECTRO-TECH

6) Dimensions(mm)/ Circuit Diagram

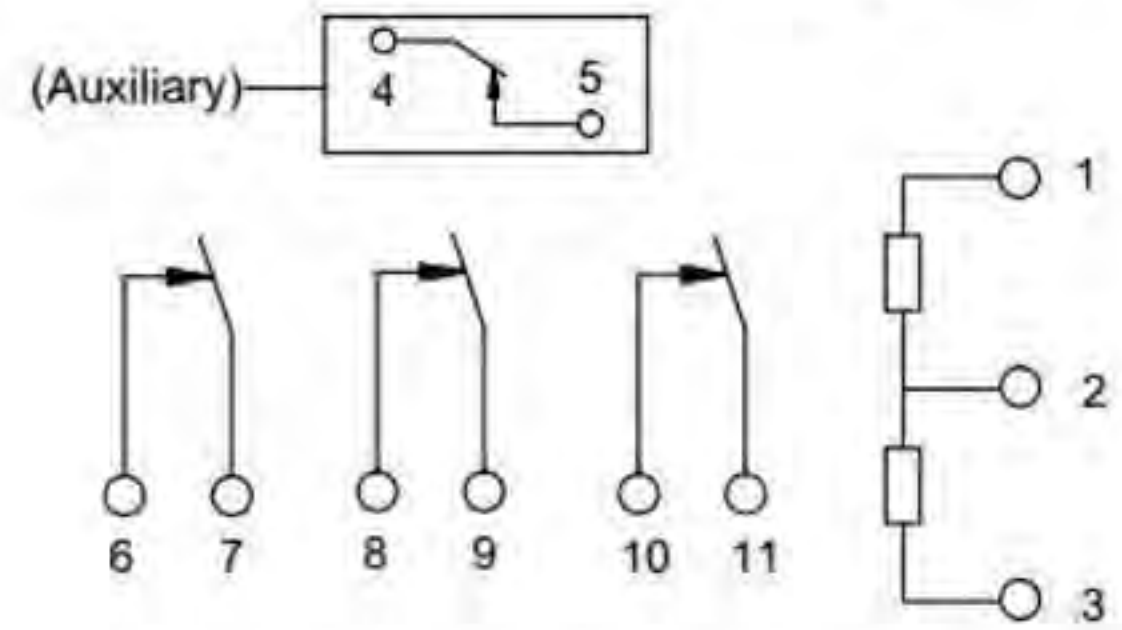
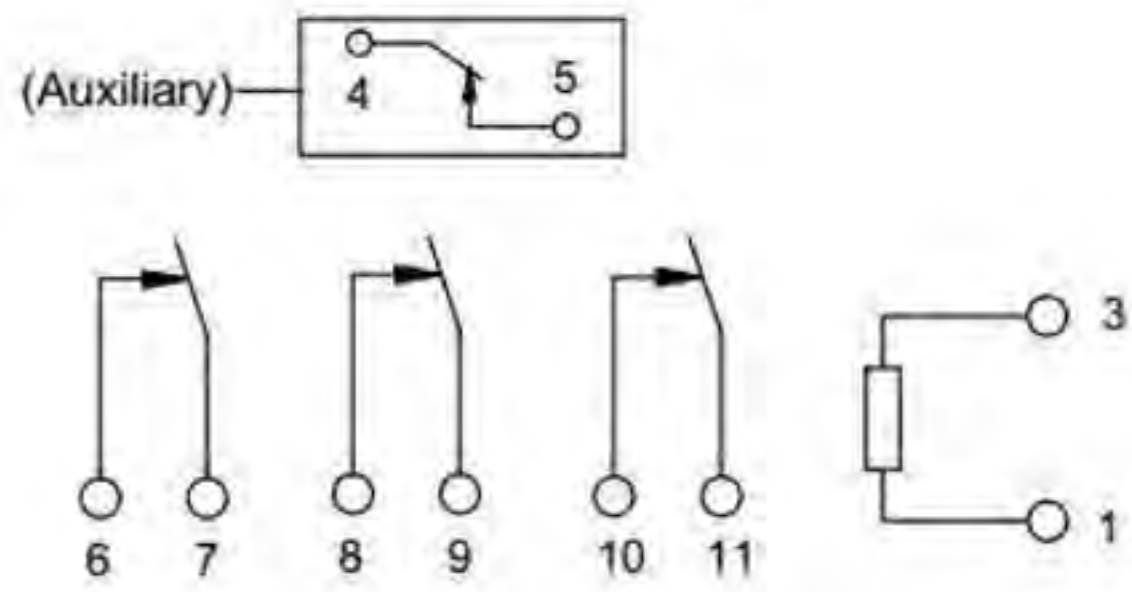
Outline Dimensions and PCB Layout
Wiring Diagram



Remark:(1)In case of no tolerance shown in outline dimension:outline dimension \leq 1mm,tolerance should be \pm 0.2mm;outline

Single coil latching

Double coils latching



1 (+) 3 (-) 4-5、6-7、8-9、10-11 Reset
3 (+) 1 (-) 4-5、6-7、8-9、10-11 Set
4-5 are the Auxiliary contact for detection(optional)

1 (+) 2 (-) 4-5、6-7、8-9、10-11 Reset
3 (+) 2 (-) 4-5、6-7、8-9、10-11 Set
4-5 are the Auxiliary contact for detection(optional)